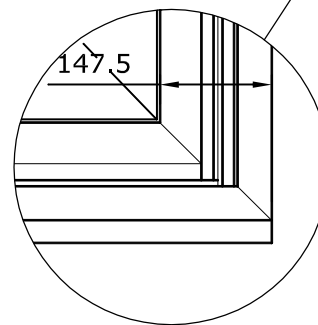
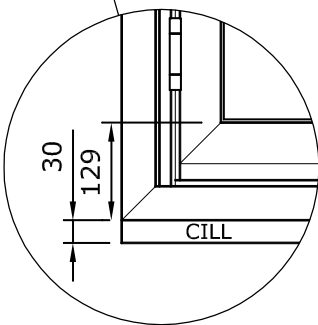


EXTERNAL VIEW



SCALE 1:20

Title:
**ALUMINIUM
 FOLDING DOOR,
 3 PANEL FOLDING
 LEFT, EXTERNALLY
 (DM3L)**

Revision Date:

Revision:

Drg No:

DM-020/0239

DUTEMANN

Quality Aluminium Products
 sales@dutemann.co.uk
 www.dutemann.co.uk

This drawing is copyright ©. No part shall be copied or otherwise reproduced without prior written permission of the company.