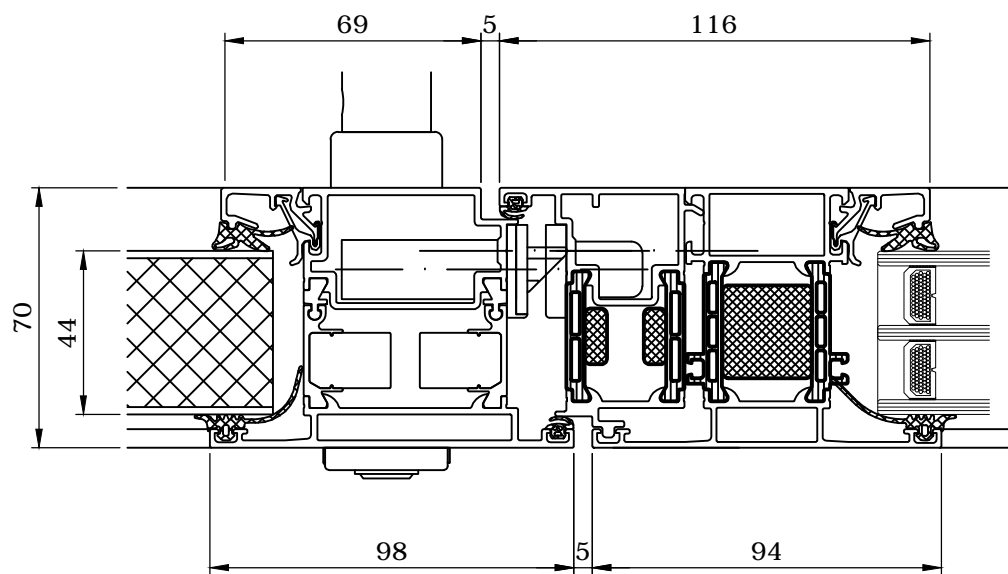
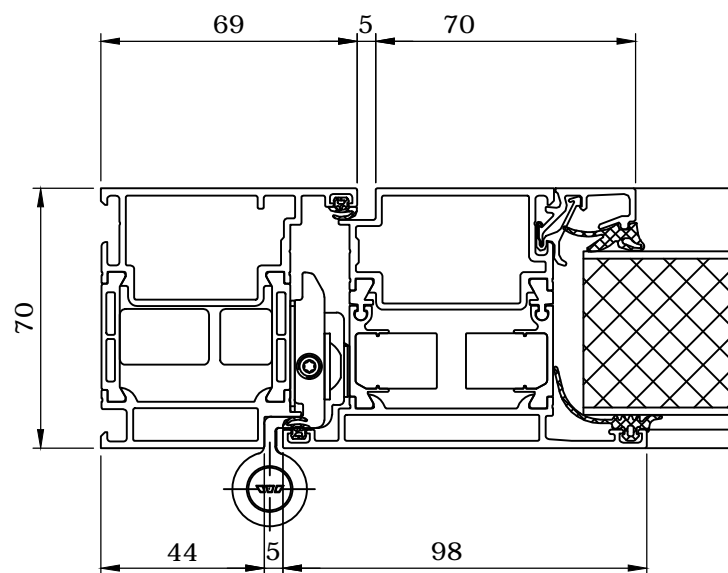
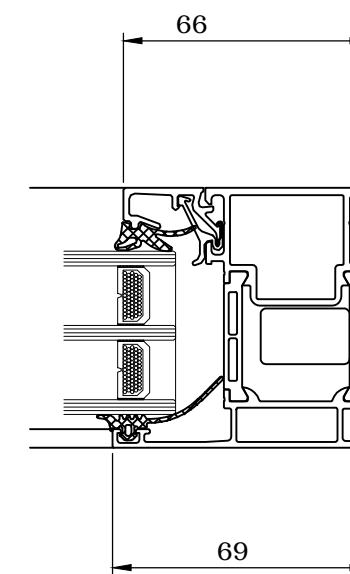


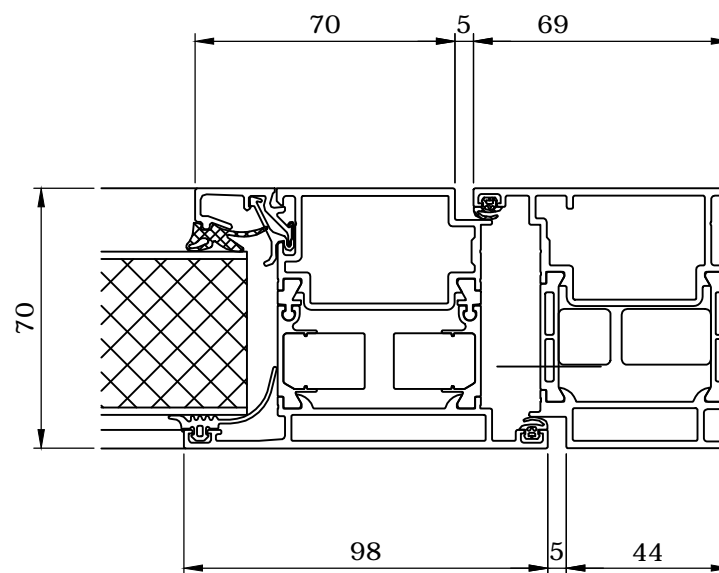
INT



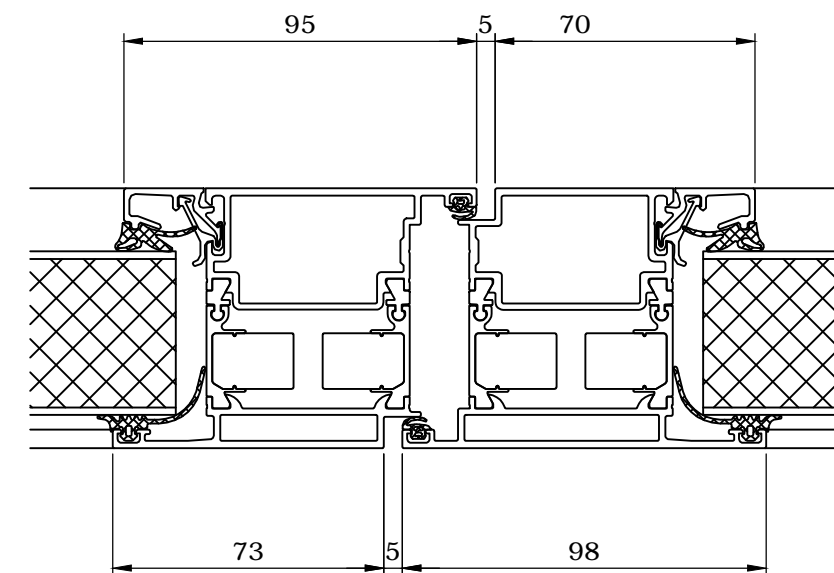
EXT



INT



EXT



**DOUBLE HAUS DOOR
MEETING STILE**

SCALE 1:2 @ A3

Title: **DUTEMANN ALUMINIUM HAUS DOOR
OUTWARD OPENING - PLAN VIEW**

Revision Date:

Revision:

Drg No:

DM-020-0603

DUTEMANN

Quality Aluminium Products
sales@dutemann.co.uk
www.dutemann.co.uk